

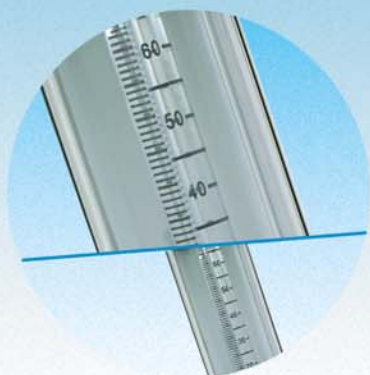
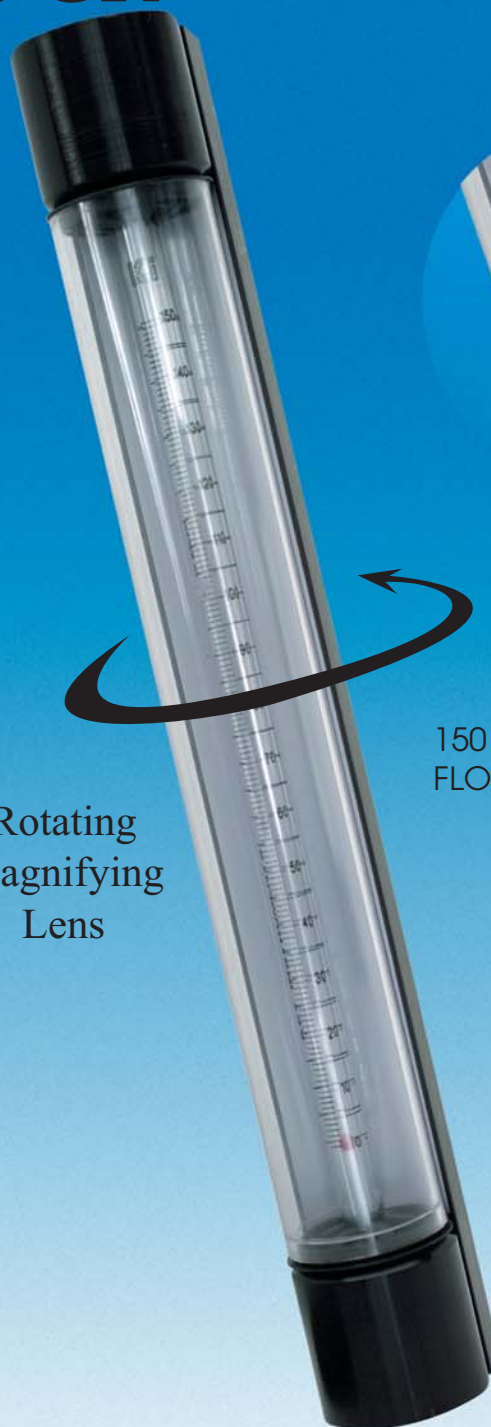
Flo-Rite™ Series GR FLOWMETERS

65 MM
FLOWMETER



Rotating
Magnifying
Lens

150 MM
FLOWMETER



FEATURING "E-Z" CHANGE FLOW TUBES



KEY INSTRUMENTS

250 Andrews Road, Trevose, PA 19053

800.356.7483 • 215.357.0893
Fax:215.357.9239

www.keyinstruments.com
e-mail:sales@keyinstruments.com

Series GR Glass Tube Flowmeters

“E-Z” CHANGE FLOWTUBES

SPECIFICATIONS	
ACCURACY:	65 MM SCALE \pm 5% FULL SCALE 150 MM SCALE \pm 3% FULL SCALE
FLOATS:	BLACK GLASS SAPPHIRE STAINLESS STEEL CARBOLOY TANTALUM
BACK PLATE:	ALUMINUM
END BLOCKS: STD. SEALS & FITTINGS:	ALUMINUM W/ BUNA “N” BRASS W/ BUNA “N” STAINLESS STEEL W/ VITON®
TUBE:	BOROSILICATE GLASS
PRESSURE:	200 P.S.I.G.
TEMPERATURE:	200°F/ 93°C

- STANDARD MILLIMETER SCALES WITH FLOW CURVES PERMIT MULTIPLE FLUID & GAS USE WITH A SINGLE TUBE
- SCALES: 65 MILLIMETER
150 MILLIMETER
- FLOWMETER AVAILABLE WITH:
NO VALVE
CARTRIDGE VALVE OR
PRECISION CONTROL VALVE
- INLET VALVE STANDARD/ OUTLET VALVE AVAILABLE
- E-Z CHANGE DESIGN ALLOWS QUICK INTERCHANGEABILITY OF TUBE ASSEMBLIES
- GLASS TUBE ALLOWS COMPATIBILITY WITH MOST GASES AND FLUIDS
- ROTATING LENS ALLOWS 180° VIEW WITH MAGNIFICATION
- DIRECT READING SCALES AVAILABLE UPON REQUEST

MAXIMUM RANGES AVAILABLE:

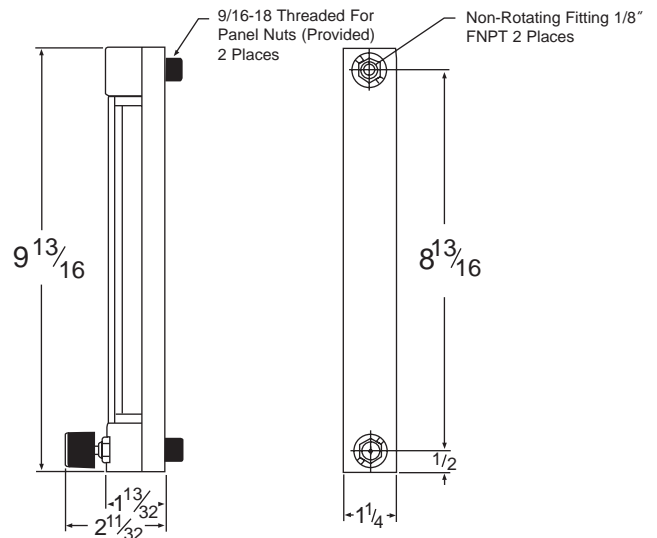
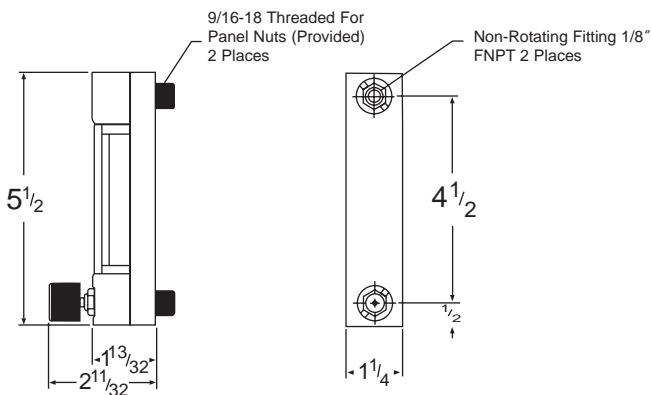
TURNDOWN \geq 10:1 WITH SINGLE FLOAT OR
TURNDOWN \geq 20:1 WITH DUAL FLOATS

65 MM TUBES: 51 CCM TO 65 LPM AIR @ STP
21.4 CCM TO 2 LPM WATER @ STP

150 MM TUBES: 50 CCM TO 66 LPM AIR @ STP
22.2 CCM TO 2 LPM WATER @ STP

65 MM FLOWMETER						
Inches	5-1/2	1-13/32	2-11/32	1-1/4	4-1/2	1/2
Millimeters	140	35.7	59.5	31.8	114	12.7

150 MM FLOWMETER						
Inches	9-13/16	1-13/32	2-11/32	1-1/4	8-13/16	1/2
Millimeter	249	35.7	59.5	31.8	224	12.7



KEY INSTRUMENTS

250 Andrews Road, Treviso, PA 19053

800.356.7483 • 215.357.0893
Fax: 215.357.9239

www.keyinstruments.com
e-mail: sales@keyinstruments.com

Series GR Glass Tube Flowmeters

65 MM			
MODEL #	FLOAT	AIR (CCM)	WATER (CCM)
GR60110	G	51	
GR60120	S	82	
GR60130	ST	153	
GR60140	C	284	
GR60150	T	(A) 310	
GR60210	G	103	
GR60220	S	160	
GR60230	ST	298	
GR60240	C	498	
GR60250	T	(A) 546	
GR60310	G	400	
GR60320	S	550	
GR60330	ST	855	21.4
GR60340	C	1275	35.4
GR60350	T	(A) 1360	38.4
GR60410	G	900	18.2
GR60420	S	1200	29.6
GR60430	ST	1800	50.1
GR60440	C	2620	76.1
GR60450	T	(A) 2790	82.4
GR60510	G	2580	55
GR60520	S	(A) 3350	85
GR60530	ST	5030	140
GR60540	C	7270	215
GR60550	T	(B) 7710	230
GR60610	G	3930	90
GR60620	S	(A) 5080	130
GR60630	ST	7510	220
GR60640	C	10700	325
GR60650	T	(B) 11315	345
GR60710	G	6000	130
GR60720	S	(B) 7800	200
GR60730	ST	11450	335
GR60740	C	(B) 16340	500
GR60750	T	(C) 17250	535
GR60810	G	10100	235
GR60820	S	(B) 12980	350
GR60830	ST	18960	560
GR60840	C	(B) 26525	830
GR60850	T	(C) 28115	885
GR60910	G	(B) 15750	375
GR60920	S	20170	545
GR60930	ST	(B) 29400	880
GR60940	C	(B) 41175	1305
GR60950	T	(C) 43410	1385
GR61010	G	23640	570
GR61020	S	(B) 30090	825
GR61030	ST	(B) 43340	1305
GR61040	C	(B) 61120	1920
GR61050	T	(C) 65850	2055

150 MM			
MODEL #	FLOAT	AIR (CCM)	WATER (CCM)
GR10110	G	50	
GR10120	S	78	
GR10130	ST	152	
GR10140	C	281	
GR10150	T	(A) 315	
GR10210	G	106	
GR10220	S	167	
GR10230	ST	308	
GR10240	C	497	
GR10250	T	(A) 540	
GR10310	G	400	
GR10320	S	555	
GR10330	ST	870	22.2
GR10340	C	1300	36.2
GR10350	T	(A) 1400	39.5
GR10410	G	855	18
GR10420	S	1135	27.6
GR10430	ST	1710	47.5
GR10440	C	2465	73.2
GR10450	T	(A) 2640	78.8
GR10510	G	2290	50
GR10520	S	(A) 2980	75
GR10530	ST	4480	125
GR10540	C	6475	190
GR10550	T	(B) 6805	205
GR10610	G	3425	75
GR10620	S	(A) 4465	115
GR10630	ST	6600	190
GR10640	C	9475	285
GR10650	T	(B) 9990	305
GR10710	G	9180	215
GR10720	S	(B) 11990	315
GR10730	ST	17810	515
GR10740	C	(B) 24970	765
GR10750	T	(C) 26170	825
GR10810	G	23740	565
GR10820	S	(B) 30270	830
GR10830	ST	44050	1335
GR10840	C	(B) 61410	1950
GR10850	T	(C) 66370	2080

FLOAT MATERIAL CODES
 0 = NO FLOAT
 1 = BLACK GLASS (G)
 2 = SAPPHIRE (S)
 3 = STAINLESS STEEL (ST)
 4 = CARBOLOY (C)
 5 = TANTALUM (T)

*NOTE: A, B & C indicate float price adders. Please consult price list for details.
 Periodically, product revisions occur. Please consult the factory for the latest specifications.



KEY INSTRUMENTS

250 Andrews Road, Trevose, PA 19053

800.356.7483 • 215.357.0893
 Fax: 215.357.9239

www.keyinstruments.com
 e-mail: sales@keyinstruments.com

Series GR Glass Tube Flowmeters

CATALOG NUMBER ORDERING EXAMPLE: GR60110SVV

HOW TO ORDER:

EXAMPLE:	GR	6	01	1	0	S	V	V
GLASS FLOWMETER _____								
PRODUCT CODE _____								
TUBE SCALE _____								
LENGTHS 65 MM = 6 OR 150 MM = 1								
TUBE SIZE _____								
01 THRU 10 (SELECT FROM FLOW RATE CHART)								
FLOAT MATERIAL _____								
1 THRU 5 (SELECT FROM FLOW RATE CHART)								
FLOAT MATERIAL- DUAL FLOAT _____								
1 THRU 5 (THIS MUST SPECIFIED. STANDARD METER SUPPLIED WITH ONE FLOAT.) 0 DESIGNATION = NO FLOAT								
END BLOCKS MATERIAL (WETTED) _____								
A = ALUMINUM B = BRASS S = STAINLESS STEEL								
VALVE DESIGNATION _____								
N = NO VALVE V = STANDARD VALVE (INLET) P = PRECISION VALVE (INLET)								
O = STANDARD VALVE (OUTLET) R = PRECISION VALVE (OUTLET)								
O-RING MATERIAL USED IN VALVE _____								
B = BUNA V = VITON® S = SPECIAL								

PLEASE BE SURE TO SPECIFY:

TUBE SCALE
TUBE SIZE
BALL FLOAT MATERIAL

END BLOCK MATERIAL
VALVE DESIGNATION
O-RING MATERIAL

FLOAT MATERIAL CODES:

0 = NO FLOAT
1 = BLACK GLASS (G)
2 = SAPPHIRE (S)
3 = STAINLESS STEEL (ST)

4 = CARBOLOY (C)
5 = TANTALUM (T)

HELPFUL CONVERSIONS:

FOR GAS: LPM X 1000 = CCM
CFH X 472 = CCM
CFM X 28230 = CCM

FOR LIQUID: LPM X 1000 = CCM
GPH X 63.09 = CCM
GPM X 3785 = CCM

FOR PRESSURE: ATM X 14.696 = PSI
ATM X 101.325 = KPA
ATM X 29.92 = IN of Hg

FOR TEMPERATURE: °C = (°F-32) x 0.555
°F = (1.8 x °C) + 32
°K = °C + 273.15



Periodically, product revisions can occur.
Please consult the factory for the latest specifications.

Viton® is a registered trademark of E.I. DuPont

©SEPT 2000

KEY INSTRUMENTS

250 Andrews Road, Treose, PA 19053

800.356.7483 • 215.357.0893
Fax: 215.357.9239

www.keyinstruments.com
e-mail: sales@keyinstruments.com